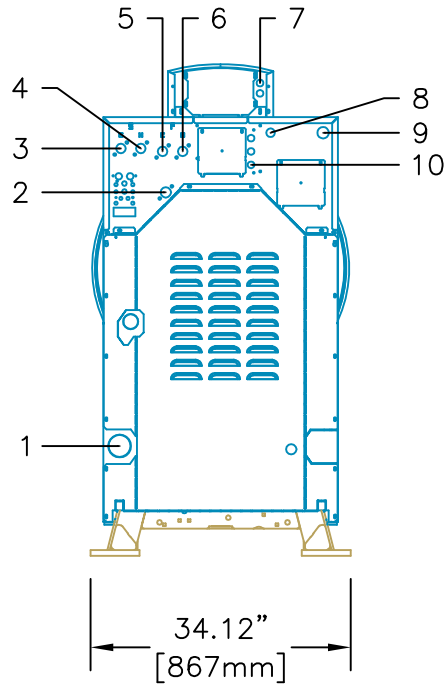
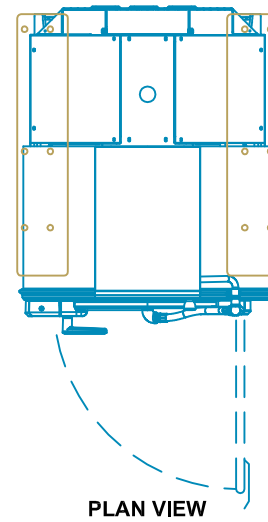


ADDENDUM NO. 1- CENTRAL FIRE STATION – BUILDING – September 22, 2020

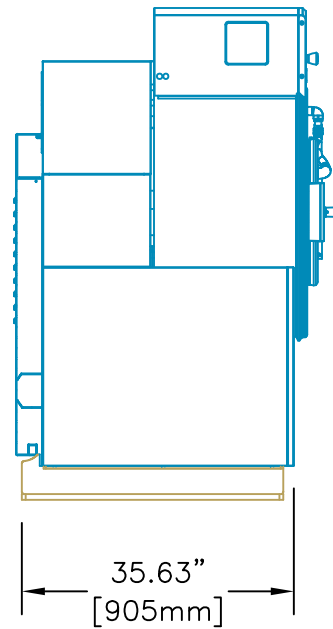
Washer/Extractor Sheet Information

**LEGEND:**

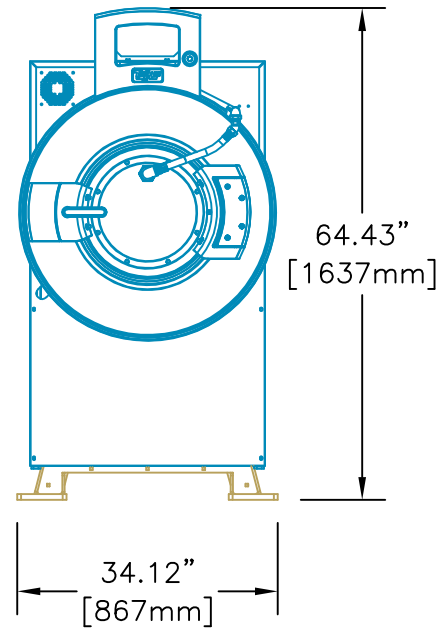
- |   |  |
|---|--|
| 1: DRAIN OUTLET                             | 6: HOT WATER INLET                     |
| 2: STEAM INLET                              | 7: .875 ELECTRICAL                     |
| 3: COLD WATER INLET<br>(SPRAY RINSE OPTION) | 8: 1.125 ELECTRICAL                    |
| 4: HOT WATER INLET<br>(SPRAY RINSE OPTION)  | 9: 1.5000 ELECTRICAL                   |
| 5: COLD WATER INLET                         | 10: .875 CHEMICAL SUPPLY<br>ELECTRICAL |



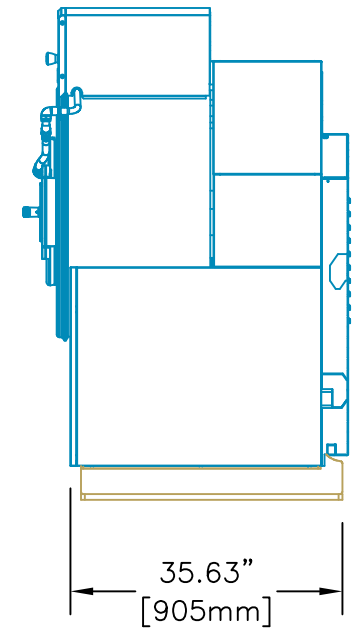
REAR VIEW



LEFT SIDE VIEW



FRONT VIEW



RIGHT SIDE VIEW

# 45 LB. POCKET HARDMOUNT WASHER-EXTRACTOR



Equipment specifications are subject to change without notice. Please use this drawing along with the installation manuals for updated equipment installation requirements.

KRP	CAD BLOCK	21-Mar-18
Drawn by	Description	Date