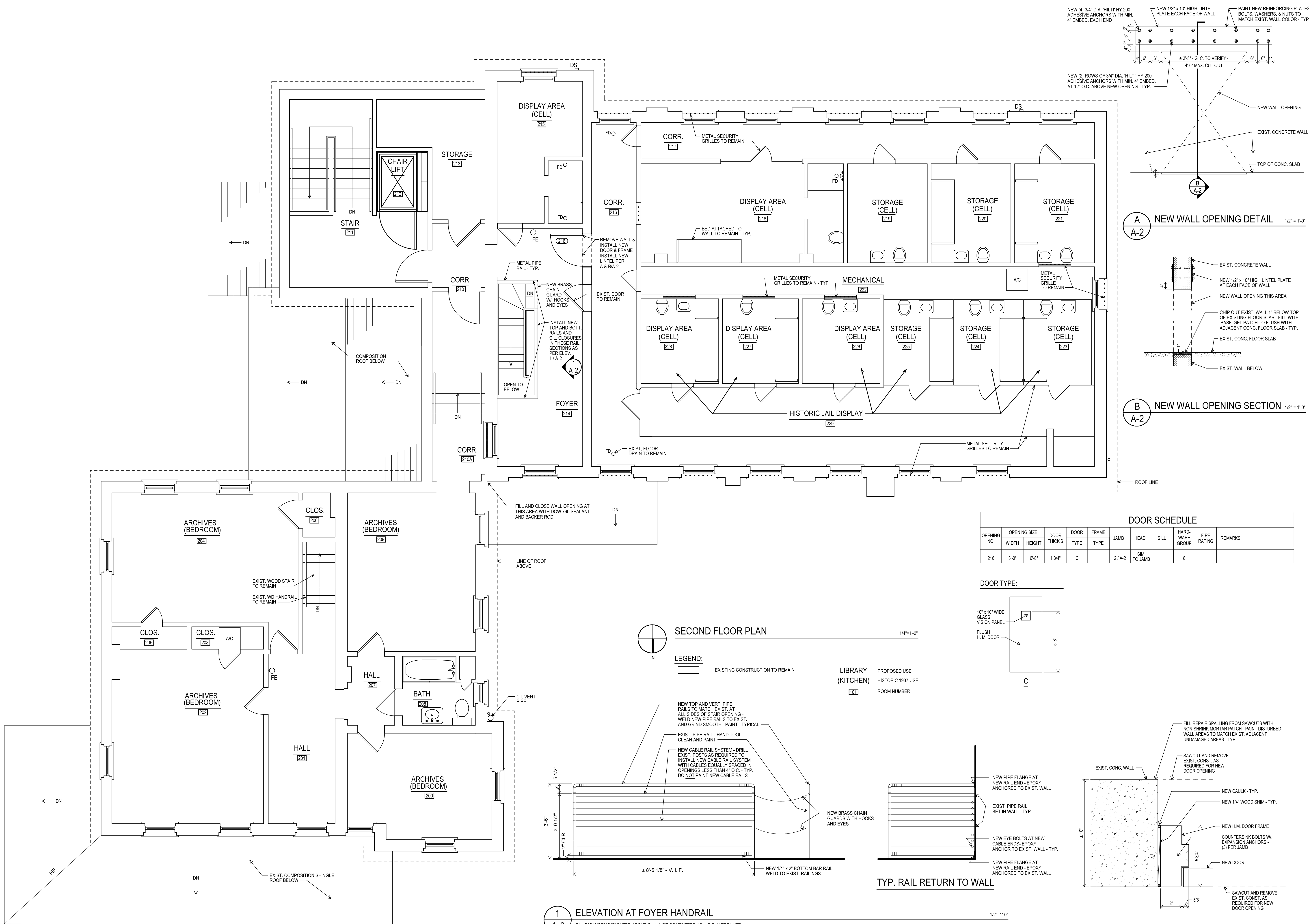
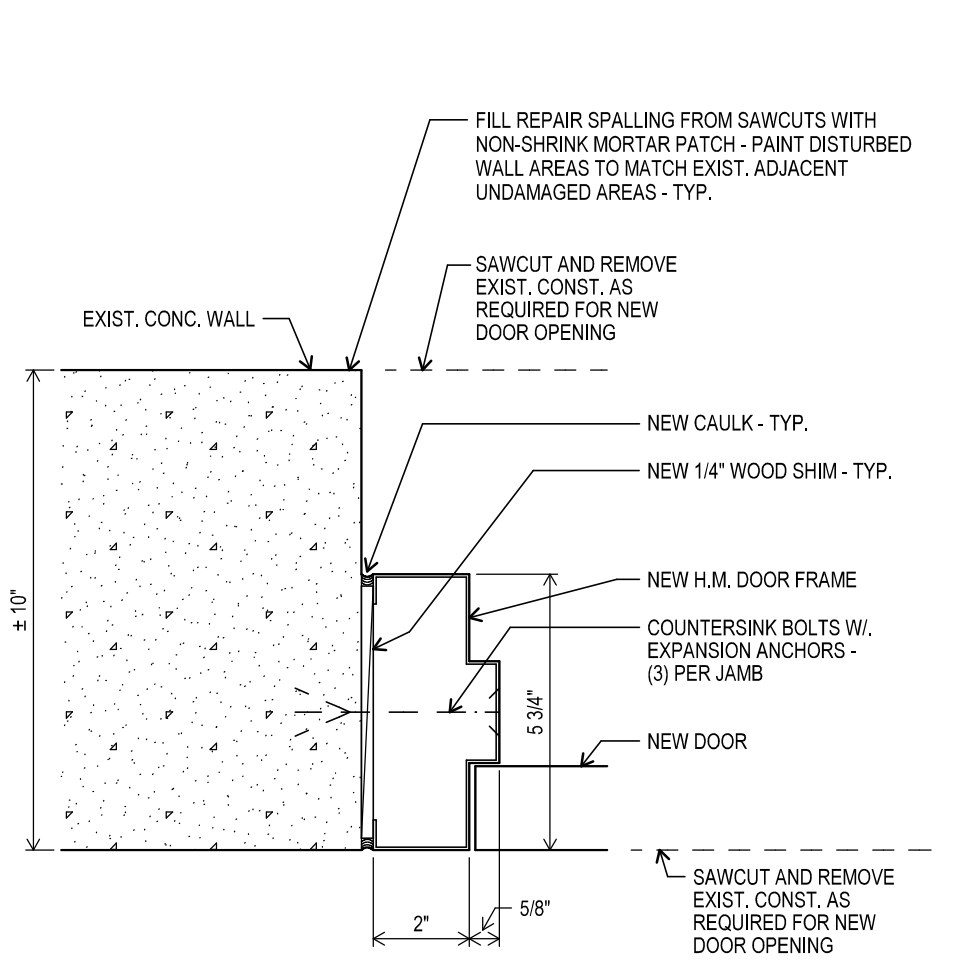
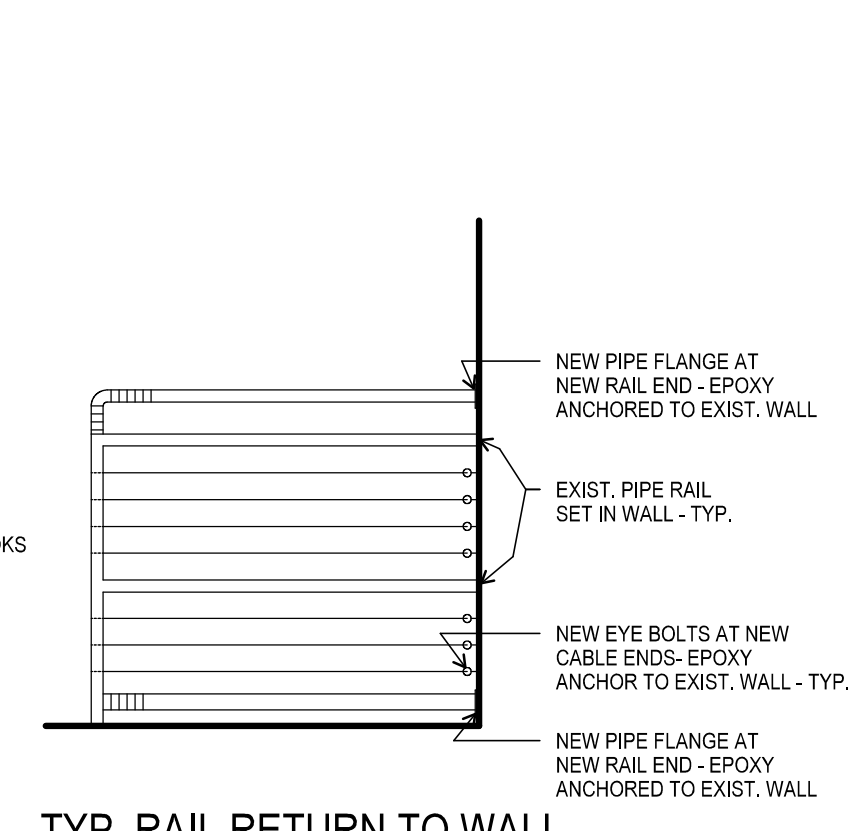
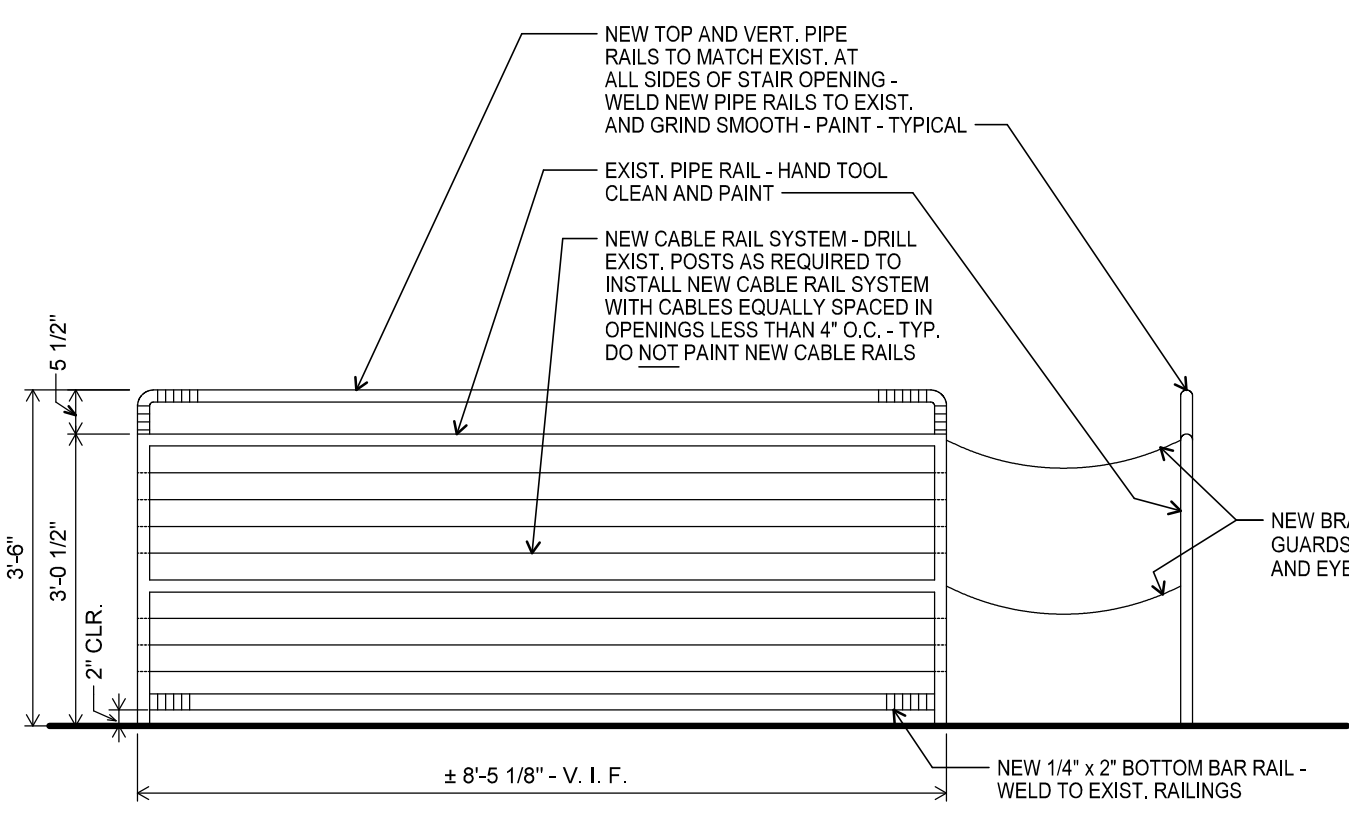
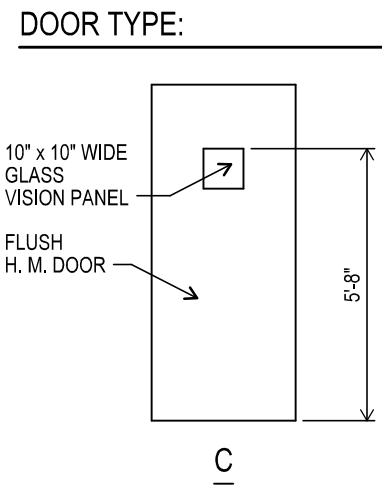


© 2018 THIS DRAWING IS THE INSTRUMENT OF SERVICE AND PROPERTY OF KENNETH SMITH ARCHITECTS INC. ANY USE OR REPRODUCTION WITHOUT THE EXPRESSED WRITTEN PERMISSION OF THIS CORPORATION IS PROHIBITED. ALL RIGHTS OF DESIGN AND INVENTION ARE EXPRESSLY RESERVED.



DOOR SCHEDULE											
OPENING NO.	OPENING SIZE		DOOR THICKS	DOOR TYPE	FRAME TYPE	JAMB	HEAD	SILL	HARDWARE GROUP	FIRE RATING	REMARKS
	WIDTH	HEIGHT									
216	3'-0"	6'-8"	1 3/4"	C		2 / A-2	SIM TO JAMB		8		



1 A-2
RAILING WORK INDICATED ABOVE SHALL BE COMPLETED AS A BID ALTERNATE.
NOTE: NEW CABLE RAILING SYSTEM SHALL BE "ULTRA-TEC" CABLE RAILING OR EQUAL SYSTEM. INSTALL WITH PULL LOCK STOP END FITTINGS WITH 3/16" STAINLESS STEEL CABLES AND WITH INVISIBLE THREADED SWAGING STUDS AT ON END OF EACH CABLE RUN.

2 A-2
DETAIL AT DOOR JAMB (HEAD SIM.)

